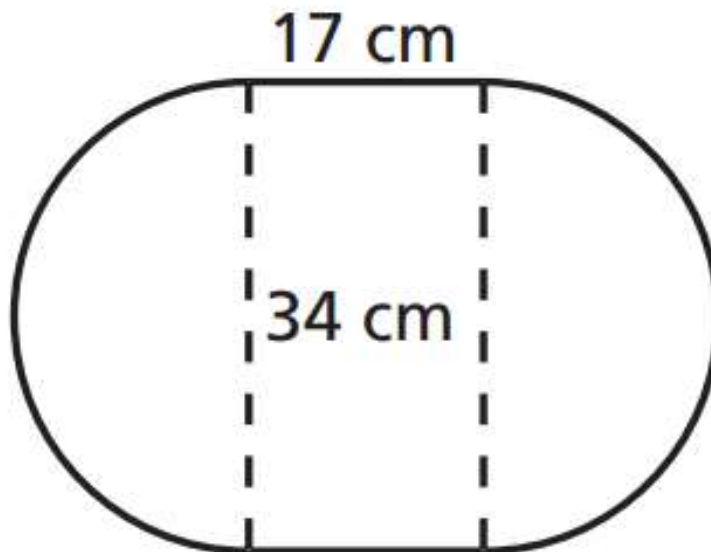


A

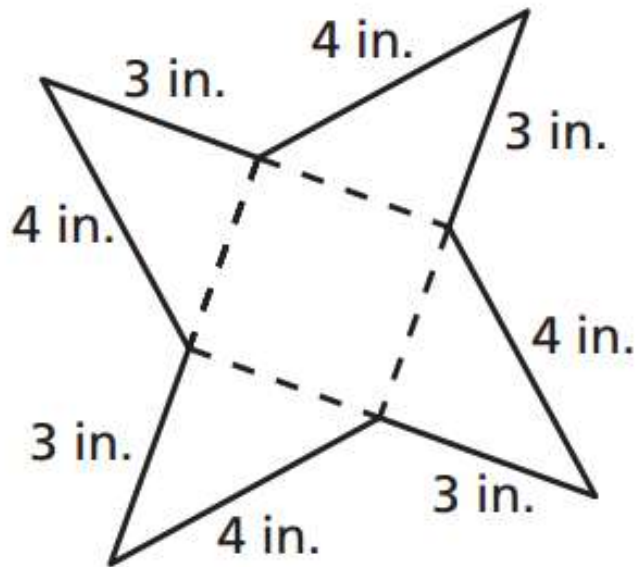
24

Use 3.14 for π .



B

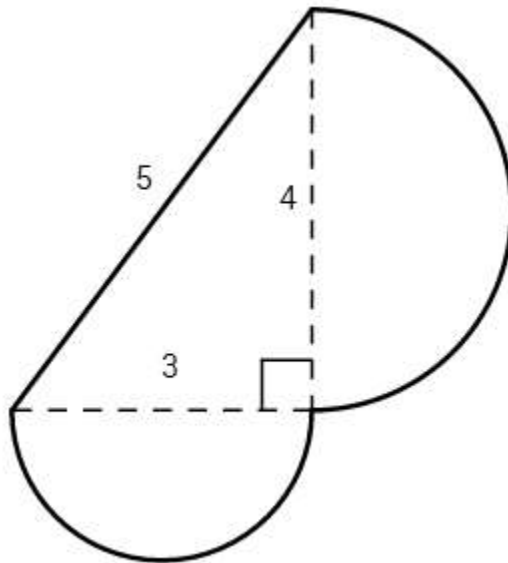
24.6



C

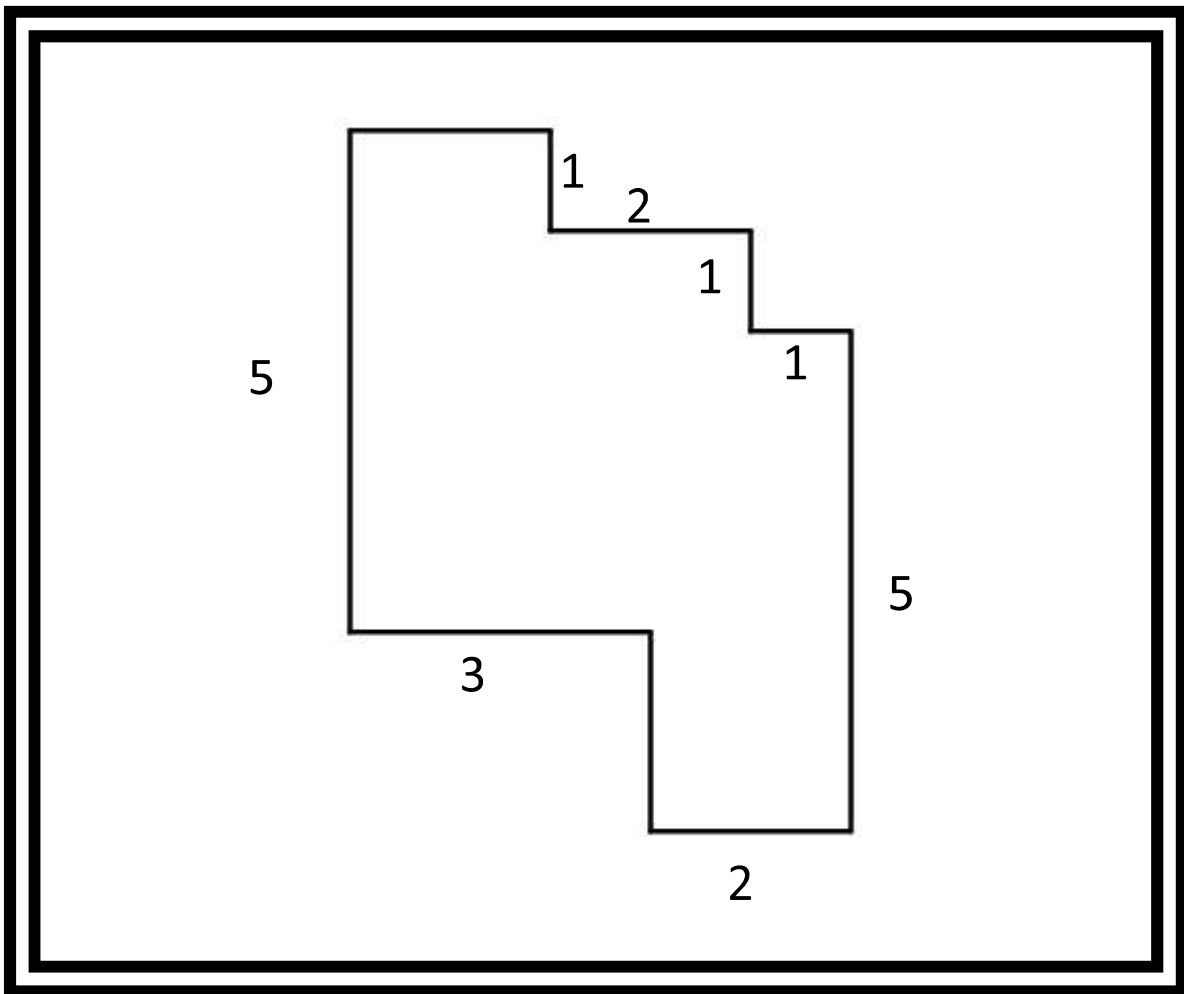
22.28

Use 3.14 for π .



D

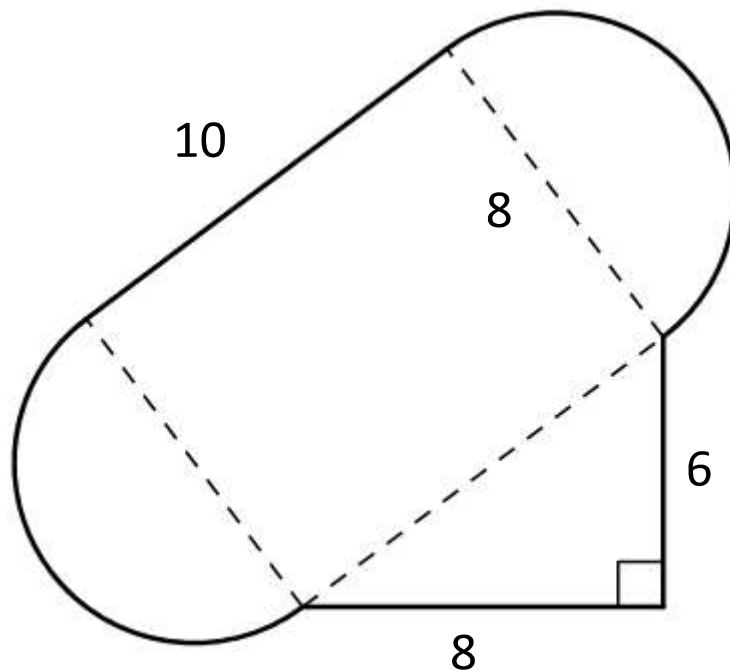
76.84



\mathcal{F}

15.99

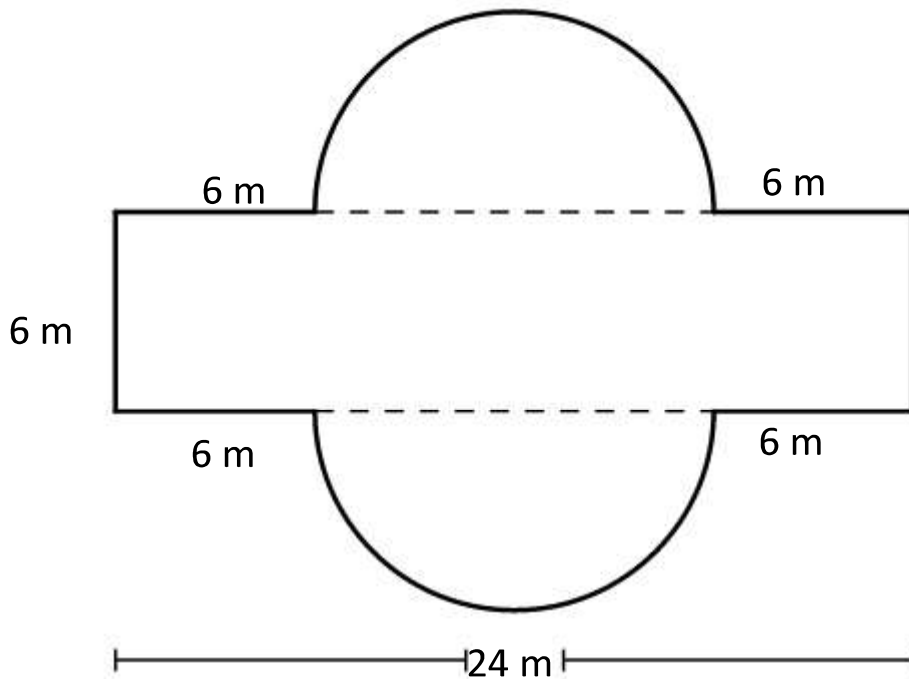
Use 3.14 for π .



F

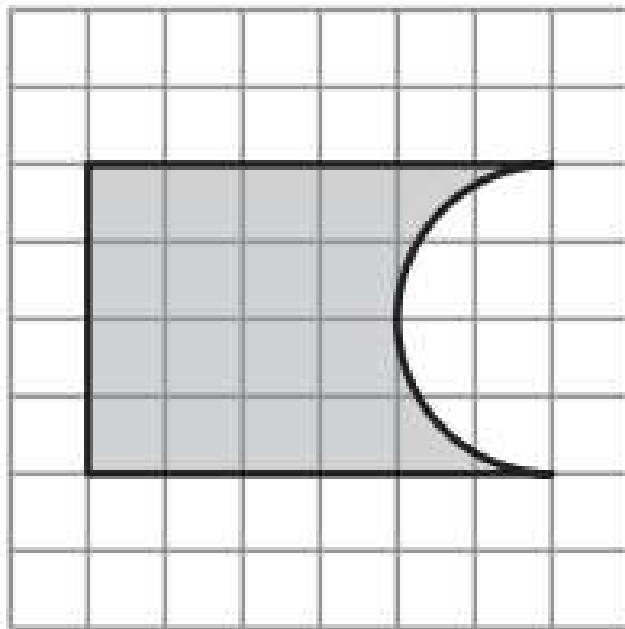
140.76

Use 3.14 for π .



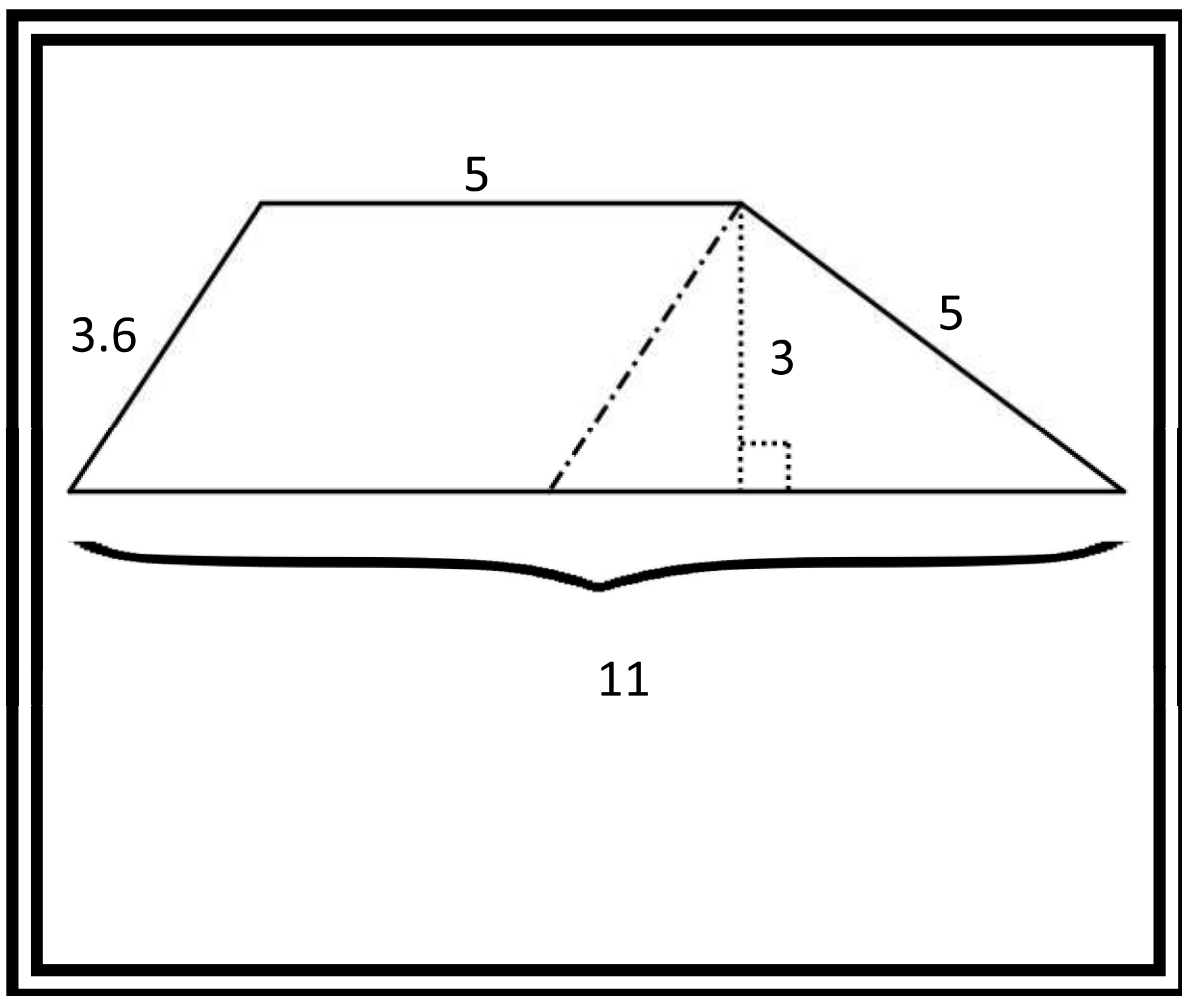
G

28



H

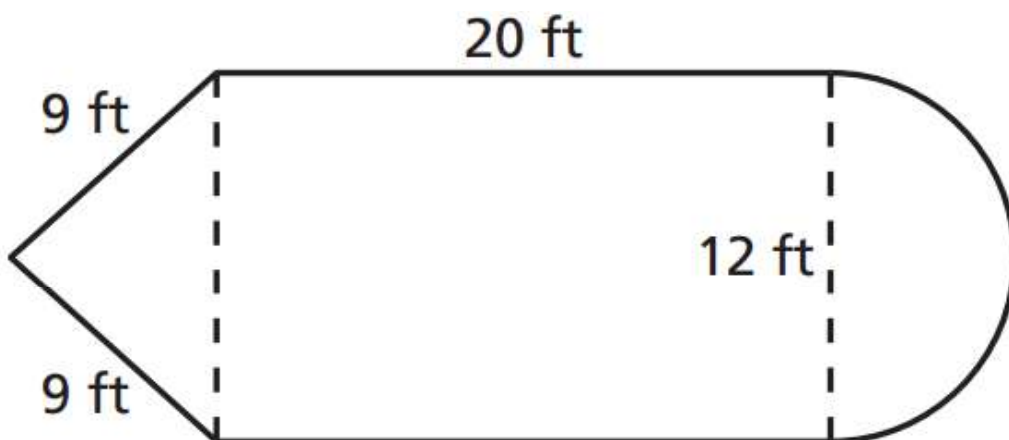
21.99



I

49.12

Use 3.14 for π .



J

73.68

Use 3.14 for π .

