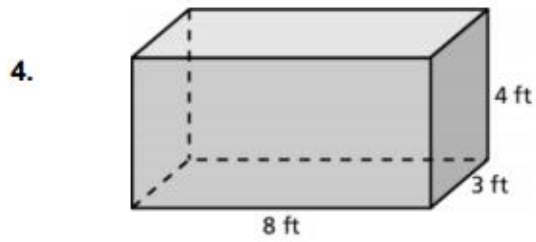
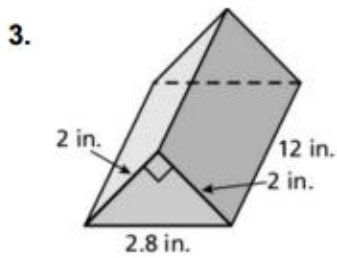
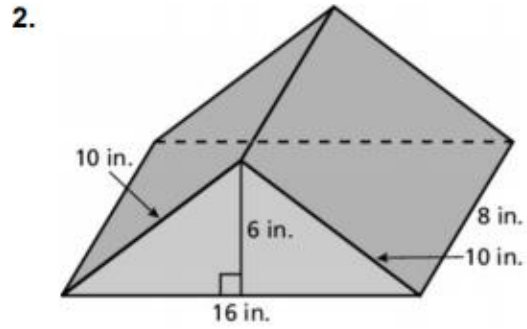
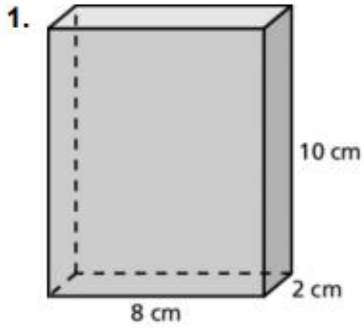


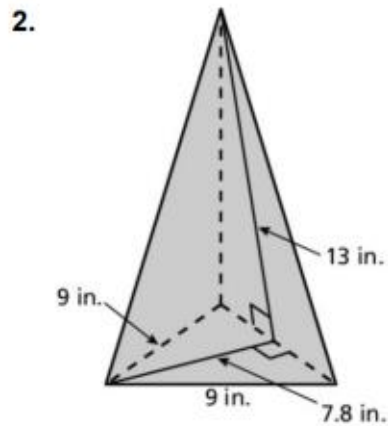
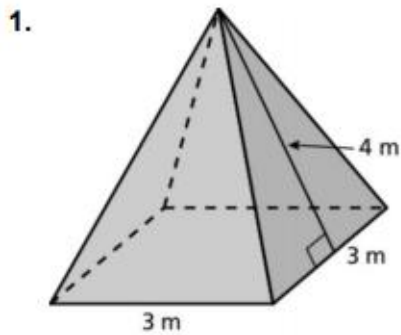
Surface Area Review

14.1, 14.2, 14.3 Practice A

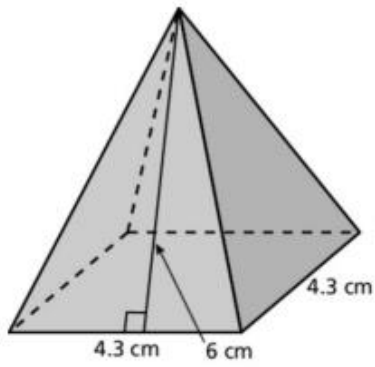
Find the surface area of the prism.



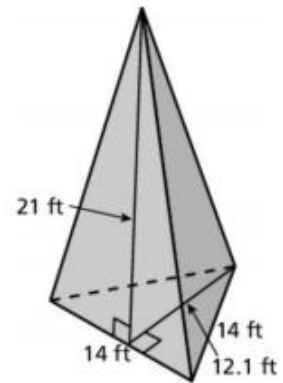
Find the surface area of the regular pyramid.



3.

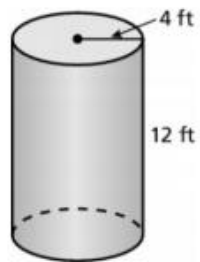


4.

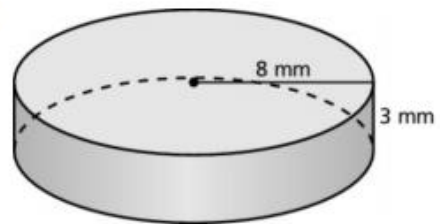


Find the surface area of the cylinder. Round your answer to the nearest tenth.

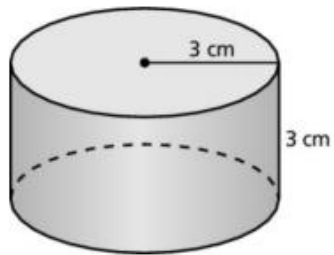
1.



2.



3.



4.

